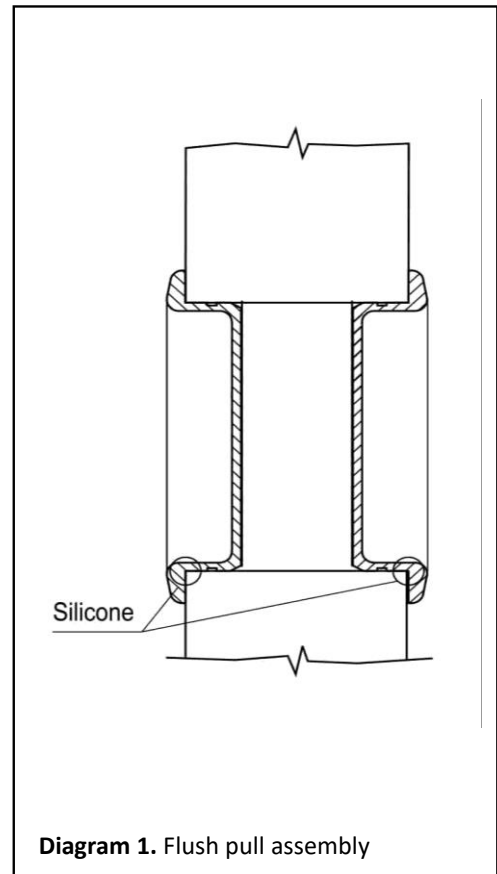
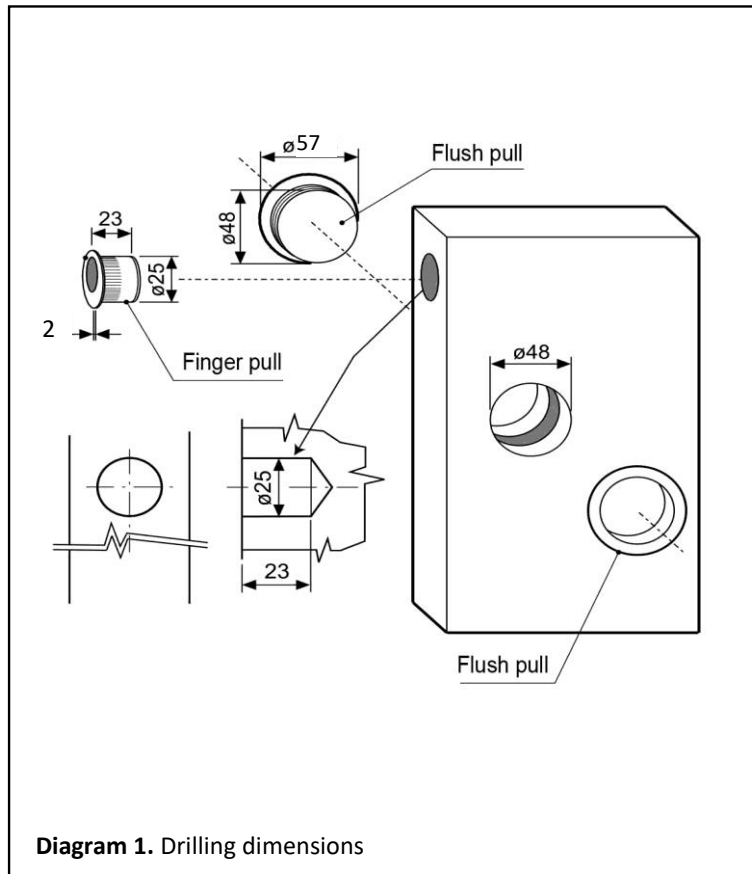


385 FLUSH PULL SET

HENDERSON

Fitting Instructions

1. Prepare door panel as shown in Diagram 1.
2. In order to prevent any rotation of the flush pulls, we advise applying silicone or suitable wood glue on the interior angles, as shown in Diagram 2.
4. Fit the flush pulls into the 48mm holes.
5. Fit the finger pulley into the 25mm diameter hole in the edge of the door, as shown in Diagram 1.



P C Henderson Ltd, Durham Road, Bowburn, Co. Durham, DH6 5NG, UK

UK Sales

t: +44 (0) 191 377 7345

e: sales@pchenderson.com

w: www.pchenderson.com

Export Sales

t: +44 (0) 191 377 7346

e: international@pchenderson.com

w: export.pchenderson.com

Part No. 666779

Level 05

January 2020