

HUSKY FOLDING

For folding interior doors weighing up to 25kg and 40kg



Husky folding door hardware provides a simple and flexible solution for both light and medium weight residential folding partitions. Designed for wooden, wood framed and composite doors, its concealed fixings and robust floor gear allow the partitions to be neatly stacked to one or both sides. The Husky Folding 25 can support doors weighing up to 25kg and 610mm wide without a floor channel, and the Husky Folding 40 can support doors weighing up to 40kg and 762mm wide, with a floor channel included.

The track can be cut to length and extra pivots are required for two doors folding each way (see note underneath product information table).

Product Information

Product	Kit Order Code	No. of Doors*	Track Length	Max. Door Height	Max. Door Width	Door Thickness Range	Max. Door Weight	
Husky 25	HF25/12	2	1234mm	2400mm	610mm	20 – 44mm	25kg	
	HF25/24	4**	2458mm	2400mm	610mm	20 – 44mm	25kg	
	HF2/25	Fittings kit to be used when an additional 2 doors are required						25kg
	HF4/25	Fittings kit to be used when an additional 4 doors are required						25kg
Husky 40	HF40/15	2	1538mm	2700mm	762mm	20 – 44mm	40kg	
	HF40/30	4**	3066mm	2700mm	762mm	20 – 44mm	40kg	
	HF2/40	Fittings Kit to be used when an additional 2 doors are required						40kg
	HF4/40	Fittings Kit to be used when an additional 4 doors are required						40kg

**Extra pivots required for 4 doors folding (2+2) (289B & 289T)

*Door refers to number of individual panels e.g. picture shows 4 doors (2 + 2), maximum number of doors is 4 to either side (4+4)

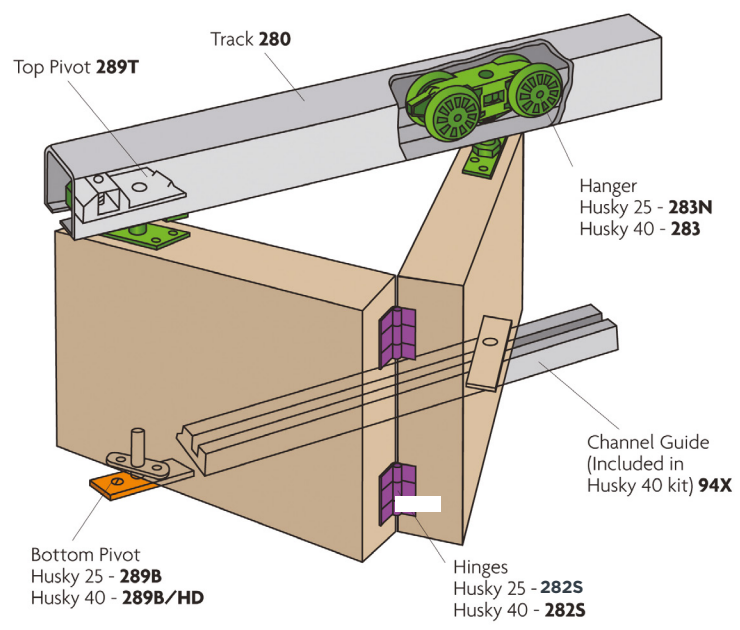
Kit Contents

Product	Component	Short Code
Husky 25	Steel Track (x 1)	280/****
	Top Pivot for fixing onto end panel (x 1)	289T
	Bottom Pivot for fixing onto end panel (x 1)	289B
	Four Wheeled Adjustable Nylon Hangers (x 1 for 2 doors; x 2 for 4 doors)	283N
	Hinges (x 3 for 2 doors; x 9 for 4 doors)	282/S
Husky 40	Steel Track (x 1)	280/****
	Top Pivot for fixing onto end panel (x 1)	289T
	Bottom Pivot for fixing onto end panel (x 1)	289B
	Guide Channel (x 1)	94X/****
	Needle Roller Bearing Hangers (x 1 for 2 doors; x 2 for 4 doors)	283
	Roller Guide (x 1 for 2 doors; x 2 for 4 doors)	106HF/94
	Hinges (x 3 for 2 doors; x 9 for 4 doors)	282/S

**** Replace by length of track for full short code

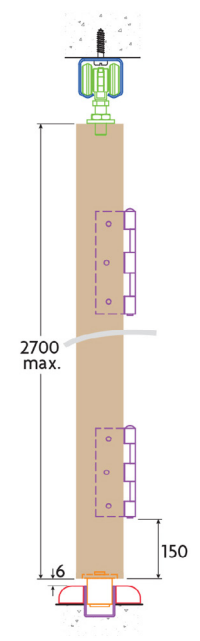
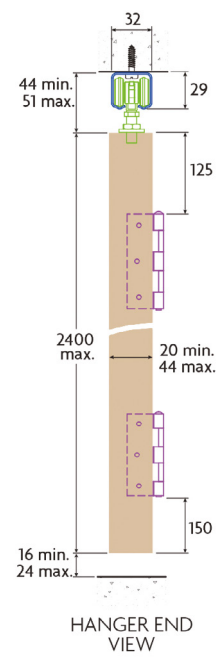
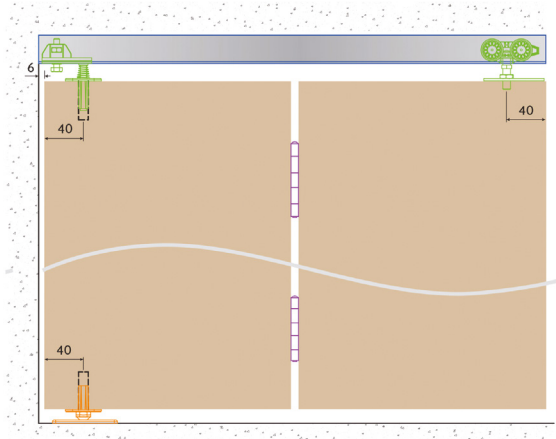
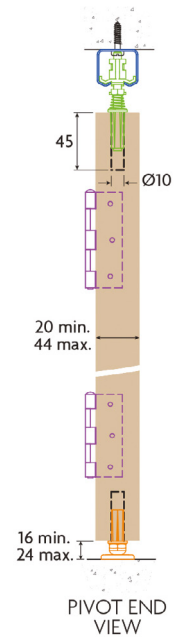


Watch our Installation Video
pchenderson.com/husky-folding-installation



Husky 25

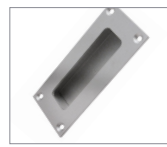
Husky 40



Accessories



Rectangle
Flush Pull
(125/S) satin,
also available in
chrome



Rectangle
Flush Pull
(400) satin, also
available in stainless
steel



2 Door Fittings
Kit for Husky 25
(HF2/25)



2 Door Fittings
Kit for Husky 40
(HF2/40)



4 Door Fittings
Kit for Husky 25
(HF4/25)



4 Door Fittings
Kit for Husky 40
(HF4/40)

View our full range of accessories on page 136