

Diagram 4.

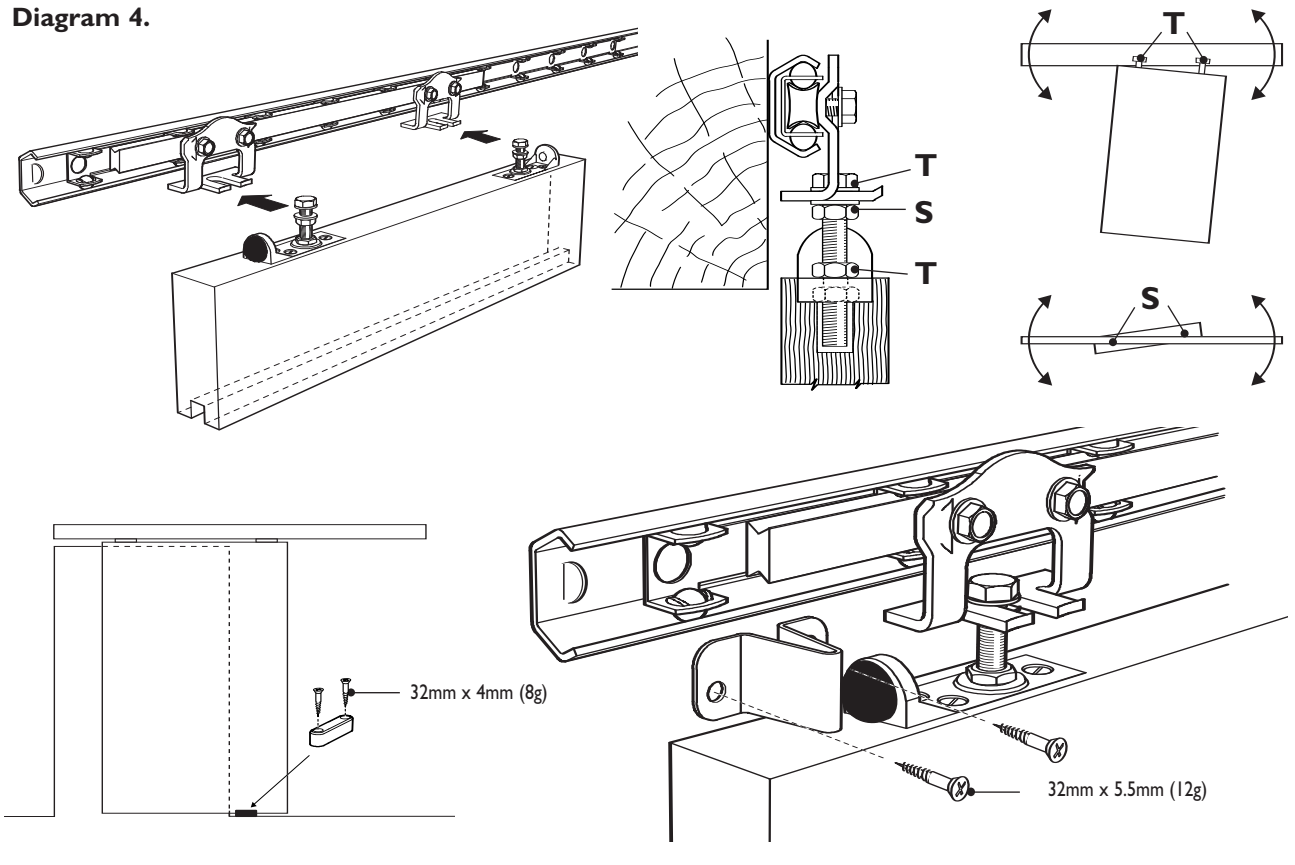
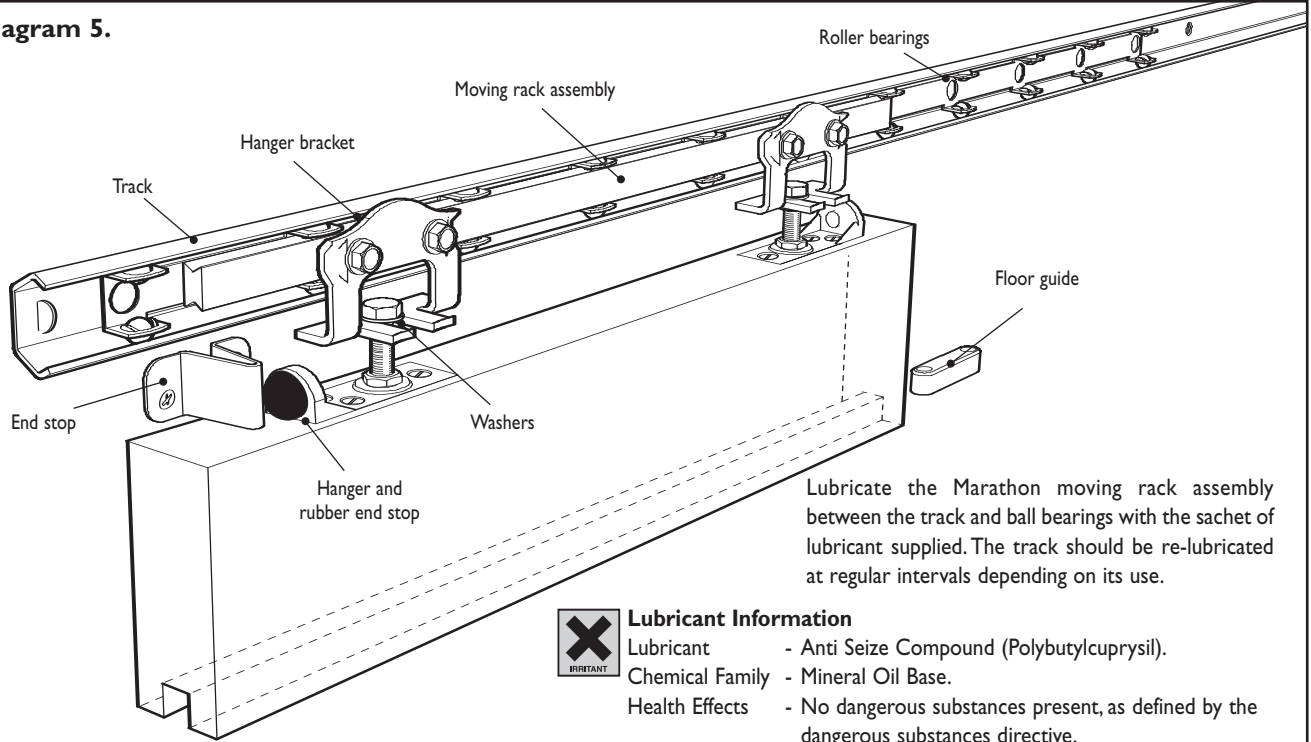


Diagram 5.




Lubricate the Marathon moving rack assembly between the track and ball bearings with the sachet of lubricant supplied. The track should be re-lubricated at regular intervals depending on its use.



Lubricant Information

- Lubricant - Anti Seize Compound (Polybutylcuprysil).
- Chemical Family - Mineral Oil Base.
- Health Effects - No dangerous substances present, as defined by the dangerous substances directive.
- First Aid - Eyes: Wash with water and consult medical practitioner.
- Skin: Wash with warm water and soap.
- Ingestion: Call medical practitioner immediately.



H411 Toxic to aquatic life with long lasting effects.
 P273 Avoid release to the environment.
 P391 Collect spillage.
 P501 Dispose of contents/container in accordance with local/regional/national/international regulations.

Please see website for Health & Safety datasheet.

WEEE
 hce
 WEEE
 WEEE
 hce
 WEEE
 WEEE

WEEE
 WEEE
 WEEE

WEEE
 WEEE
 WEEE

WEEE

